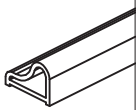

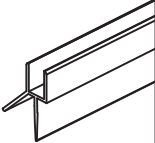






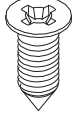



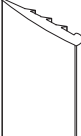
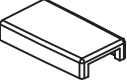

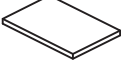
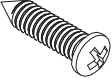
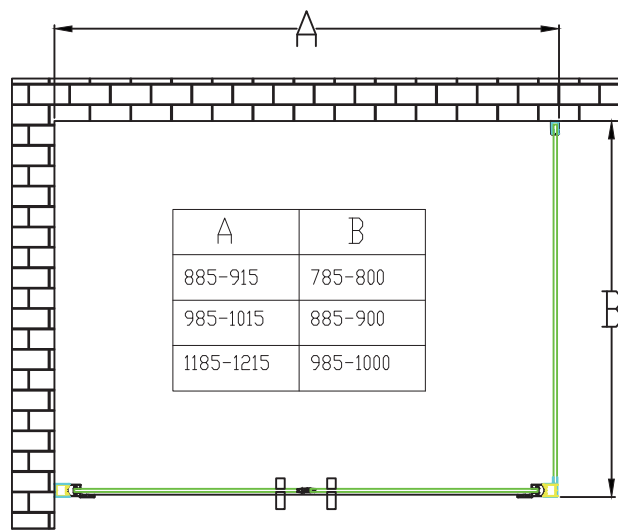
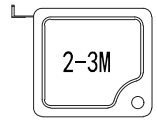
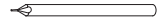
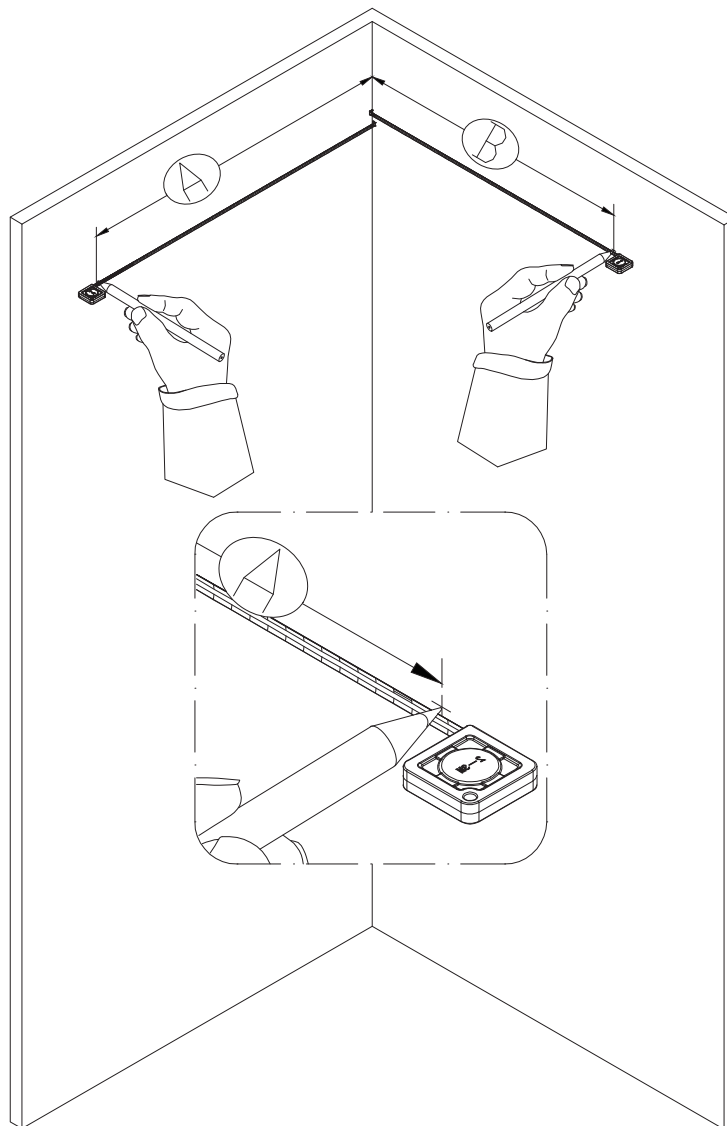


Lieferumfang

01 DL-817  X1	02  R*/L*1	03  H009-8-15 X2	04  X2	05 DY-0003  X1	06  X9
07  X2	08  ST4X30 X7	09  X4	10  ST4X16 X4	11  X1	12  X2
13  X1	14  X1	15  X1	16 DY-0007  X1	17  X3	18  ST3.5*35 X2



800MM-1000MM

